

Pattern #	Part #	Snap	# of Parts	Sq. Ft.	Relief	Liner Thickness
MS-1019	A	2'X2'	1	8	0.5"	1.50"
	B	6'X2'	1	8	0.5"	1.50"

Form Liner Parts and Dimensions

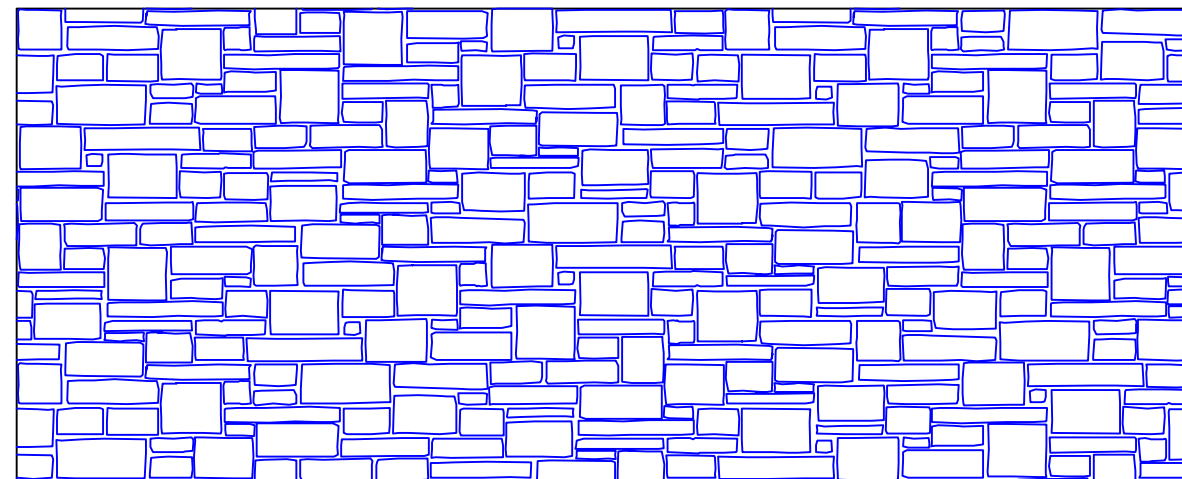
Milestones Pattern #1020 Flat Small Ashlar
 FORM LINER MODULES
 And Dimensions

235 Monroe St.
 Hudson, WI 54016

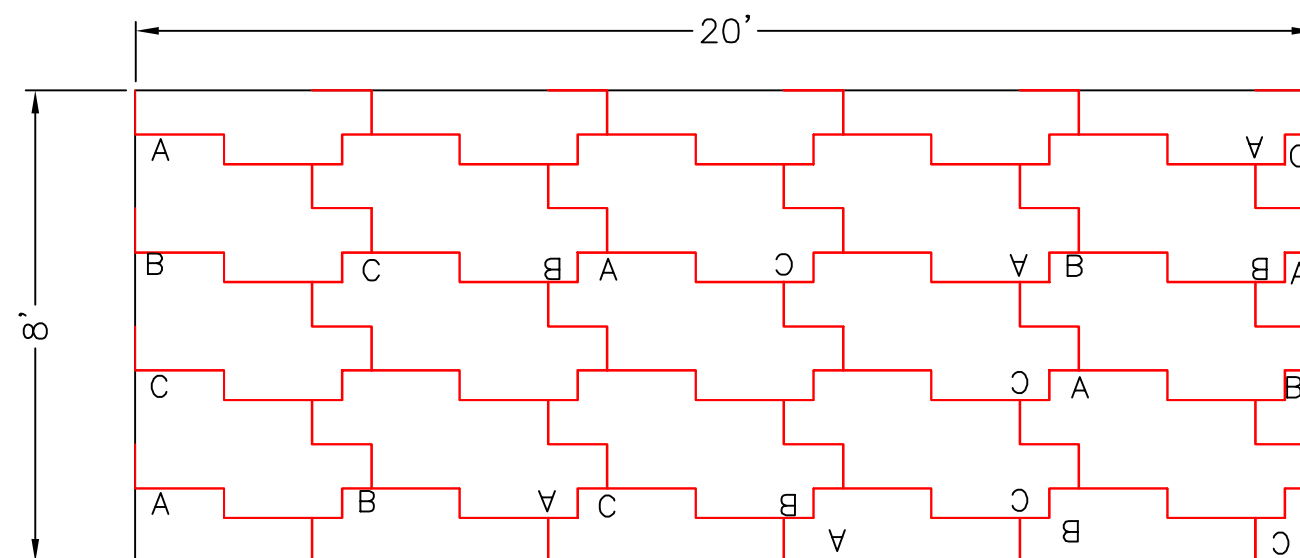
Ph: 715-381-9660
 Fax: 715-381-9679



DWN BY: PCN 2-10-04
 APP BY: SCALE: NTS
 SHT 1 OF 2 FILE C:\ACADWIN\MS-1020



Sample Pattern Layout



Form Liner Layout

Milestones Pattern #1020 Flat Small Ashlar

Form Liner Layout
And Dimensions

DWN BY: PCN	2-10-04
APP BY :	SCALE: NTS
SHT 2 OF 2	FILE C:\ACADWIN\MS-1020

235 Monroe St.
Hudson, WI 54016

Ph: 715-381-9660
Fax: 715-381-9679

